

BP15



BEDIENUNGSANLEITUNG
OPERATING MANUAL
MANUEL D'UTILISATION

 **TROTEC**
AT WORK.

Promat (HK) Ltd

901 New Trend Centre, 704 Prince Edward Road East, Sanpokong, Kowloon, HK

Tel.: (852) 2661 2392

Fax: (852) 2661 2086

E-mail: sales@promat.hk

Website: <http://www.promat.hk>



PROMAT

Your Solution To Testing Instrument

Table of contents

Notes regarding the operating manual	B - 1
Safety	B - 1
Technical data	B - 2
Description of the device.....	B - 2
Operation.....	B - 3
Maintenance and repair	B - 4
Disposal.....	B - 4
Declaration of conformity	B - 4

Notes regarding the operating manual**Symbols****Danger!**

Warns of a hazard which can lead to injuries.

**Risk from laser radiation!**

Warns of injury risk from laser radiation.

**Caution!**

Warns of a hazard which can lead to damage to property.

Legal notice

This release replaces all previous versions. No part of this publication may be reproduced without written permission from Trotec. The same applies for electronically processing, duplicating or spreading the publication. Subject to technical changes. All rights reserved. Trademarks are used without guarantee that they may be used freely and primarily following the spelling of the manufacturer. Product names are registered.

Changes to construction in the interests of constant improvements to the product, as well as changes to the shape and colour are reserved.

The scope of delivery may vary from product images. This document was created with all due care. Trotec accepts no liability whatsoever for possible mistakes or omissions.

© Trotec

Safety**Intended use**

This device is exclusively intended for measuring temperature with an infrared sensor in the measuring range specified in the technical data. People who use this device must have read and understood the operating manual, especially the "Safety" chapter.

Improper use

The device must not be used in potentially explosive atmospheres. It may not be pointed at people.

Trotec accepts no liability for damages resulting from improper use. In such a case, entitlements to a warranty are forfeited.

**Risk from laser radiation!**

- Do not look into the laser beam and do not point the device at people.

**Danger!**

- Keep a sufficient distance away from sources of heat.

**Caution!**

- Do not use abrasive cleaners or solvents to clean the device.
- Do not leave the packaging lying around. Children may use it as a dangerous toy.
- The device is not a toy and does not belong in the hands of children.

Promat (HK) Ltd

901 New Trend Centre, 704 Prince Edward Road East, Sanpokong, Kowloon, HK

Tel.: (852) 2661 2392 Fax: (852) 2661 2086

E-mail: sales@promat.hk Website: <http://www.promat.hk>

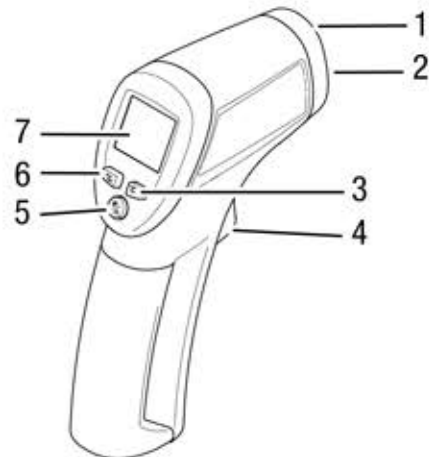
Technical data

Model	BP15
Weight	127 g
Dimensions H x W x D	135 x 95 x 28 mm
Measuring range	-30 °C to 260 °C (-22 °F to 500 °F)
Accuracy	±2 % (±4 °F) or 2.0 % of the measured value (the higher value applies)
Measuring range resolution	0.1 °C / °F
Operating temperature	0 °C to 50 °C (32 °F to 122 °F)
Relative humidity during operation	Max. 80 % relative humidity
Laser output	< 1 mW (630–670 nm)
Laser class	II
Degree of emission	0.95
Distance to measuring spot diameter ratio	8:1
Reaction time	< 1 s
Power supply	9 V battery
Switch off	After approx. 8 seconds of non-use

Description of the device

Functional description

The infrared thermometer BP15 uses an infrared sensor to measure surface temperatures without contact. So that you can accurately see where the device is measuring, a built in laser pointer can be switched on. The device can show either the highest or lowest value of the measurement.



- | | |
|------------------|------------------|
| 1. Laser pointer | 2. IR sensor |
| 3. "°C/°F" key | 4. Trigger |
| 5. "Laser" key | 6. "MAX MIN" key |
| 7. Display | |

Display



- | |
|--|
| 8. Degree of emission |
| 9. Unit of the temperature |
| 10. Battery indicator |
| 11. Maximum or minimum value from the last measurement |
| 12. Shows the maximum or minimum value |
| 13. Temperature display |
| 14. Measurement is on |
| 15. Display is frozen |
| 16. Laser pointer on |

Promat (HK) Ltd

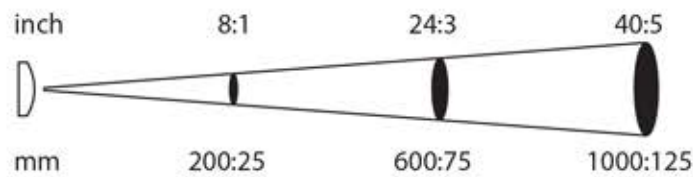
901 New Trend Centre, 704 Prince Edward Road East, Sanpokong, Kowloon, HK
 Tel.: (852) 2661 2392 Fax: (852) 2661 2086
 E-mail: sales@promat.hk Website: <http://www.promat.hk>



Operation

Temperature measurement

- Ensure that the surface to be measured is free of dust, dirt or similar substances.
- To be able to gain exact measurement results on surfaces which reflect heavily, stick matt masking tape to the surface or apply matt black paint with a very high and known degree of emission.
- Note the 8:1 ratio of the distance to the measuring spot size. The larger the distance to the object, the larger the measuring points size and hence, the less precise the measured result.



1. Point the device at the object to be measured and hold down the trigger (4).
 - The device turns on and carries out a measurement. The "SCAN" symbol (14) appears in the display. The current measured value is shown.
2. Release the trigger (4).
 - The device stops measuring. The "HOLD" symbol (15) appears in the display. Depending on the setting of the device, either the maximum or minimum value of the last measurement is shown.

The device switches off after approx. 8 seconds without being used.

Settings

Switching on the laser pointer / display illumination

Press the "Laser" key (5) to switch on/off the laser pointer and the display illumination.

In the basic position (holding the trigger [4]), press the "Laser" key (5)

- 1x to switch on the laser pointer;
- 2x to switch on the display illumination;
- 3x to switch off the laser pointer;
- 4x to switch off the display illumination.

You can recognise whether the laser pointer is switched on with the "Laser pointer on" symbol (16).

Changing the display - Minimum/Maximum

Press the "MIN/MAX" key (6) to switch between views.

Changing the display °C - °F

Press the "°C/°F" key (3) to change between the units for the measured values.

Promat (HK) Ltd

901 New Trend Centre, 704 Prince Edward Road East, Sanpokong, Kowloon, HK
 Tel.: (852) 2661 2392 Fax: (852) 2661 2086
 E-mail: sales@promat.hk Website: http://www.promat.hk



Maintenance and repair

Battery change



Caution!

Make certain that the surface of the device is dry and the device is switched off.



Cleaning

Clean the device with a soft, damp and lint-free cloth. Ensure that no moisture enters the housing. Do not use any sprays, solvents, alcohol-based cleaning agents or abrasive cleaners. Only use clean water to moisten the cloth.

Repair

Do not modify the device or install any spare parts. For repairs or device testing, contact the manufacturer.

Disposal



In the European Union, electronic equipment must not be treated as domestic waste, but must be disposed of professionally in accordance with Directive 2002/96/EC of the European Parliament and Council of 27th January 2003 concerning old electrical and electronic equipment. After the end of its use, please dispose of this device in a manner appropriate to the relevant legal requirements.

Declaration of conformity

in accordance with the EC Low Voltage Directive 2006/95/EC and the EC Directive 2004/108/EC about electromagnetic compatibility. We hereby declare that the infrared thermometer BP15 was designed, developed and produced in compliance with the named EC Directive.

Manufacturer:

Trotec GmbH & Co. KG
Grebbeener Straße 7
D-52525 Heinsberg

Phone: +49 2452 962-400

Fax: +49 2452 962-200

E-mail: info@trotec.com

Heinsberg, 5 April 2012

Managing Director: Detlef von der Lieck

Promat (HK) Ltd

901 New Trend Centre, 704 Prince Edward Road East, Sanpokong, Kowloon, HK

Tel.: (852) 2661 2392 Fax: (852) 2661 2086

E-mail: sales@promat.hk Website: <http://www.promat.hk>

