



# radiolink plus



Capable of both weighing and dynamic load monitoring, the latest Radiolink Plus is constructed of high-quality aircraft grade aluminium and features an advanced internal design structure. This internal design structure not only provides the product with an unrivalled strength to weight ratio but it also allows the use of a separate internal sealed enclosure providing the load cell's electronic components with IP67 environmental protection even with the battery cover plate missing, making this industry leading dynamometer even more suitable for use in the harshest environments.

Featuring industry leading wireless technology and range, the versatile Radiolink Plus is supplied with an update rate of 3 Hz and can be easily configured to run at industry leading speeds of up to 200 Hz. Data is transmitted wirelessly utilising the latest in IEEE 802.15.4 (2.4 GHz) technology providing safe, high integrity, error free transmission of both static weight and dynamic load to a wireless handheld controller.

Designed for measurement of both static and dynamic loads the Radiolink Plus can also be used in combination with our range of high speed wireless data logging software allowing for simultaneous control, display and real time data logging of up to 100 Straightpoint telemetry load cells. A.csv file format is used for data logging and opens in MS Excel, allowing easy visual presentation of the logged data and simple test certificate generation.

The Radiolink Plus utilises easily sourced AA alkaline batteries and features advanced circuitry designed to protect the unit from damage associated with incorrectly installed batteries. This advanced circuitry extends battery life and the use of easily sourced alkaline batteries eliminates issues associated with rechargeable battery pack charging, failure and replacement.

A full array of wireless accessories are also available including signal boosters, LED wireless scoreboards and base stations with analogue (4-20mA, 0-10v, 0-5v) or digital (RS232/485, Modbus RTU, and ASCII serial communications protocol) outputs.

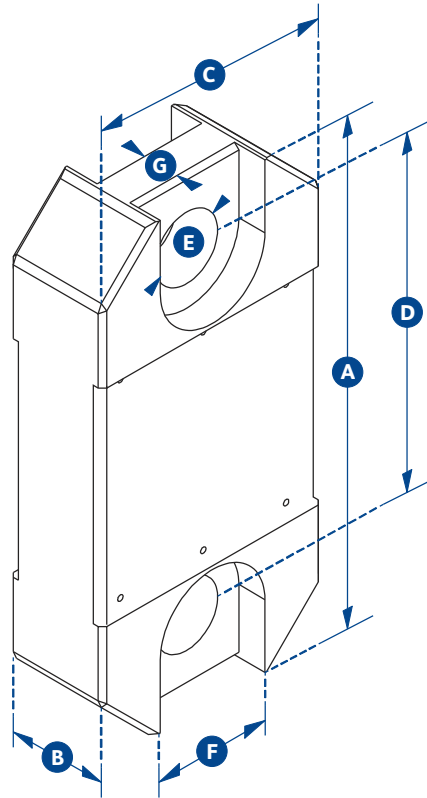
It is easy to see why, globally, the Radiolink Plus is the number one choice for weighing and dynamic load monitoring in critical lift planning and execution.

## Features and benefits:

- Proprietary 2.4 GHz wireless
- Industry leading wireless range
- Error free data transmission
- Unrivalled resolution
- Environmentally sealed
- Audible overload alarm
- Unmatched battery life
- Internal antennae
- Compact size
- Remote on-off
- Lightweight
- Peak hold
- Advanced options available
- Tare
- Design validated by F.E.A.

# metric specifications

# radiolink plus



Part Number	RLP1T	RLP2T5	RLP5T	RLP12T	RLP25T	RLP35T	RLP50T	RLP75T	RLP100T	RLP150T	RLP200T	RLP250T	RLP300T
Capacity	1,000kg	2.5te	5te	12te	25te	35te	50te	75te	100te	150te	200te	250te	300te
Resolution	0.5kg	0.001te	0.001te	0.002te	0.005te	0.005te	0.01te	0.01te	0.05te	0.05te	0.1te	0.1te	0.1te
Units	kg	te	te	te	te	te	te	te	te	te	te	te	te
Weight	1.4kg	1.4kg	2kg	3.2kg	5kg	8.6kg	11.5kg	16kg	34kg	46kg	72kg	72kg	118kg
Safety Factor	12:1	5:1	5:1	5:1	5:1	5:1	5:1	5:1	5:1	4:1	5:1	4:1	5:1
Battery Type	Handheld 2 x AA/Load cell 4 x AA												
Battery Life	Handheld 60 hours/Load cell 1200 hours continuous												
Display Type	6 digit 25mm LCD												
Operating Temp	-10°C to +50°C												
Accuracy	± 0.3 % of applied load												
Frequency	2.4 GHz												
System Range	700 metres												
Data Rate	3 Hz - up to 200 Hz can be ordered for dynamic load monitoring applications												
Protection	IP67												
Dimension A	204	204	249	305	340	393	424	470	608	670	700	700	806
Dimension B	43	43	43	47	60	75	75	75	99	99	144	144	150
Dimension C	101	101	101	101	115	126	163	202	255	303	320	320	426
Dimension D	146	146	165	193	215	225	230	260	320	360	350	350	350
Dimension E	24.5	24.5	38	47.5	55	60	76	76	109	109	132	132	160
Dimension F	48	48	66	Not available on this capacity									
Dimension G	19	19	32	Not available on this capacity									
Crosby Shackle	G2130						G2140						
Loading Pin Ø	19	19	25	35	51	57	57	70	83	95	121	127	152



Your Solution To Testing Instrument

**PROMAT (HK) Limited 寶時(香港)有限公司**  
 901 New Trend Center, 704 Prince Edward Road East, SPK, Kln, HK  
 香港九龍新蒲崗太子道東704號新時代商業中心901室  
 TEL: (+852) 2661 2392 FAX: (+852) 2661 2086  
 Email: sales@promat.hk http://www.promat.hk

