



loadlink plus



Known worldwide as the original electronic force measurement device to feature an integral display, the Loadlink Plus has been in production since 1979. Over the years the line has been expanded and the Loadlink Plus is now used on a daily basis for load monitoring and heavy lifts ranging in capacity from 1t - 500t, by a variety of industrial and commercial industries to include manufacturing, transportation, agriculture, oil and gas, utilities, aerospace and clean energy.

This latest version of the well-known product has advanced features and benefits providing solutions for today's complicated load test and force monitoring needs. The Loadlink Plus features full function push button controls for tare, choice of units (lbs, kg, kN, and tons), peak hold, preset tare, audible set-point alarm and an overload counter.

The advanced microprocessor based electronics provide the Loadlink Plus with high speed read rates (500/sec), extreme resistance to industrial level noise and unprecedented stability. This high stability gives the Loadlink Plus over 5000 divisions and the highest standard resolution of any digital dynamometer on the market today. Constructed of high-grade aircraft quality aluminium, Straightpoint's advanced internal design structure allows the product to once again top the charts with an unmatched weight to strength ratio. Straightpoint's Link style dynamometers are on average 30% lighter than our closest competitor with the same safety rating.



PROMAT (HK) Limited 寶時(香港)有限公司
901 New Trend Center, 704 Prince Edward Road East, SPK, Kln, HK
香港九龍新蒲崗太子道東704號新時代商業中心901室
TEL: (+852) 2661 2392 FAX: (+852) 2661 2086
Email: sales@promat.hk http://www.promat.hk



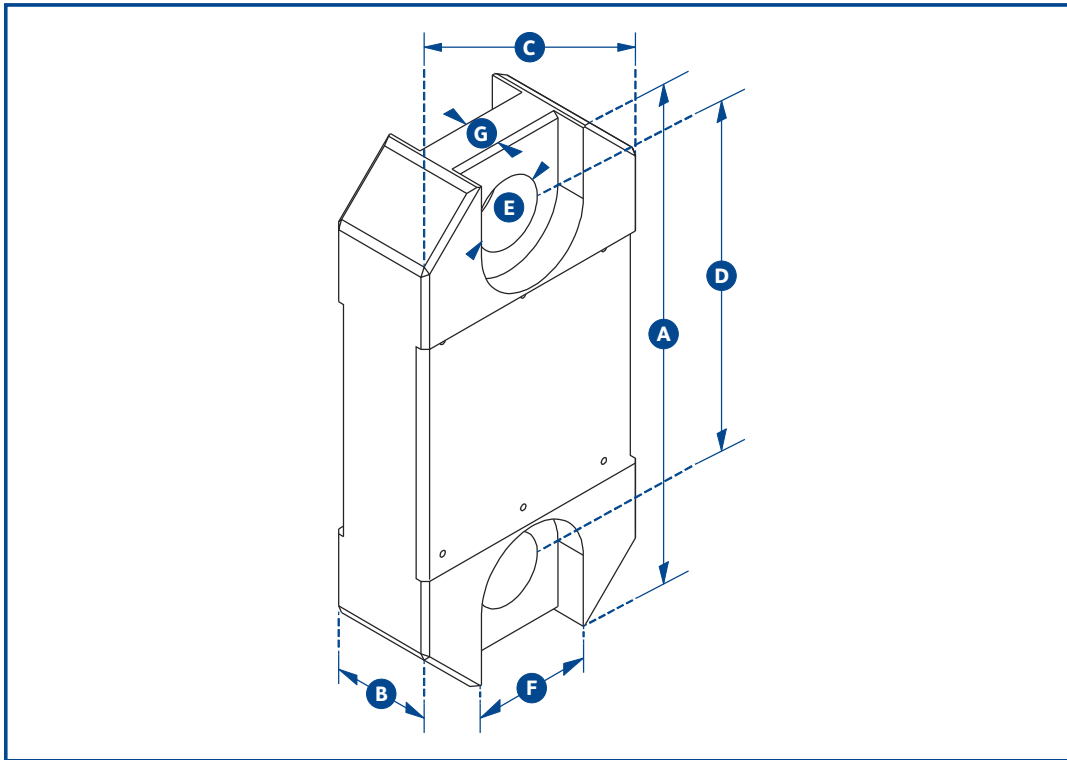
Features and benefits:

- Large LCD Display
- High Accuracy
- Selectable Units
- High Resolution
- Peak Hold
- Compact Size
- Tare
- Lightweight
- Preset Tare
- Overload Counter
- Audible Set Point Alarm
- RS-485 Serial Output

imperial specifications



loadlink plus



Part Number	LLP1TU	LLP2TSU	LLP5TU	LLP12TU	LLP25TU	LLP35TU	LLP50TU	LLP75TU	LLP100TU	LLP150TU	LLP200TU	LLP250TU	LLP300TU
Capacity	2200lb	5500lb	11000lb	26000lb	55000lb	77000lb	110000lb	165000lb	220000lb	330000lb	440000lb	550000lb	660000lb
Resolution	1lb	2lb	2lb	5lb	10lb	10lb	20lb	20lb	100lb	100lb	200lb	200lb	200lb
Units	te, lbs, kg & kN												
Weight	3.1lb	3.1lb	4.4lb	7.1lb	11lb	19lb	25.3lb	35.3lb	75lb	101.4lb	158.7lb	158.7lb	260lb
Safety Factor	12:1	5:1	5:1	5:1	5:1	5:1	5:1	5:1	5:1	4:1	5:1	4:1	5:1
Battery Type	9v PP3												
Battery Life	80hrs continuous												
Display Type	6 digit 1" LCD												
Operating Temp	14°F to 122°F												
Accuracy	± 0.3% of applied load												
Protection	NEMA 4X												
Dimension A	8.03	8.03	9.80	12.01	13.39	15.47	16.69	18.5	23.94	26.38	27.56	27.56	31.73
Dimension B	1.69	1.69	1.69	1.85	2.36	2.95	2.95	2.95	3.90	3.90	5.67	5.67	5.91
Dimension C	3.98	3.98	3.98	3.98	4.53	4.96	6.42	7.95	10.04	11.93	12.60	12.60	16.77
Dimension D	5.75	5.75	6.50	7.60	8.46	8.86	9.06	10.24	12.60	14.17	13.78	13.78	13.78
Dimension E	0.96	0.96	1.50	1.87	2.17	2.99	2.99	2.99	4.29	4.29	5.20	5.20	6.30
Dimension F	1.89	1.89	2.60	Not available on this capacity									
Dimension G	0.75	0.75	1.26	Not available on this capacity									
Crosby Shackle	G2130						G2140						
Loading Pin Ø	3/4"	3/4"	1"	1 3/8"	2"	2 1/4"	2 1/4"	2 3/4"	3 1/4"	3 3/4"	4 3/4"	5"	6"



PROMAT (HK) Limited 寶時(香港)有限公司
 901 New Trend Center, 704 Prince Edward Road East, SPK, Kln, HK
 香港九龍新蒲崗太子道東704號新時代商業中心901室
 TEL: (+852) 2661 2392 FAX: (+852) 2661 2086
 Email: sales@promat.hk http://www.promat.hk

