

EN

OPERATING MANUAL
VIDEOSCOPE



Table of contents

Notes regarding the operating manual..... 2

Safety 2

Information about the device..... 3

Operation 5

Errors and faults..... 8

Maintenance and repair 8

Disposal 8

You can download the current version of the operating manual and the EU declaration of conformity via the following link:



B022



<https://hub.trotec.com/?id=43579>

Notes regarding the operating manual

Symbols



Warning of electrical voltage

This symbol indicates dangers to the life and health of persons due to electrical voltage.



Warning

This signal word indicates a hazard with an average risk level which, if not avoided, can result in serious injury or death.



Caution

This signal word indicates a hazard with a low risk level which, if not avoided, can result in minor or moderate injury.

Note

This signal word indicates important information (e.g. material damage), but does not indicate hazards.



Info

Information marked with this symbol helps you to carry out your tasks quickly and safely.



Follow the manual

Information marked with this symbol indicates that the operating manual must be observed.

Safety

Read this manual carefully before starting or using the device. Always store the manual in the immediate vicinity of the device or its site of use!



Warning

Read all safety warnings and all instructions.

Failure to follow the warnings and instructions may result in electric shock, fire and / or serious injury.

Save all warnings and instructions for future reference.

This appliance can be used by children aged from 8 years and above and persons with reduced physical, sensory or mental capabilities or lack of experience and knowledge if they have been given supervision or instruction concerning use of the appliance in a safe way and understand the hazards involved.

Children shall not play with the appliance. Cleaning and user maintenance shall not be made by children without supervision.

- Do not use the device in potentially explosive rooms.
- Do not use the device in aggressive atmosphere.
- Do not use the device in atmospheres containing oil, sulphur, chlorine or salt.
- Protect the device from permanent direct sunlight.
- Only use the device in de-energized facilities and objects. For reasons of safety, de-energize all plant components and objects prior to every inspection.
- Before using the measuring probes and camera heads, de-energize any circuits located in walls.
- Before using the measuring probes and camera heads in metal pipes inside a wall, have an authorised specialist company carry out a check to ensure that the metal pipes are not electrically charged.
- For reasons of safety, do not use the measuring probes and camera heads for inspections in moving parts.
- Do not remove any safety signs, stickers or labels from the device. Keep all safety signs, stickers and labels in legible condition.

- Do not open the device.
- Observe the storage and operating conditions as given in the Technical data chapter.

Intended use

Only use the device for the visualization of objects.

To use the device for its intended use, only use accessories and spare parts which have been approved by Trotec.

Improper use

Do not use the device in potentially explosive areas. Do not use the control unit with display underwater. Never use the device on persons or animals. Trotec accepts no liability for damages resulting from improper use. In such a case, any warranty claims will be voided. Any unauthorised modifications, alterations or structural changes to the device are forbidden.

Personnel qualifications

People who use this device must:

- take measures to protect themselves from direct contact with live parts.
- have read and understood the operating manual, especially the Safety chapter.

Residual risks



Warning of electrical voltage

Electric shock due to contact with live parts! Do not touch any live parts. Secure neighbouring live parts by covering them or by switching them off.



Warning of electrical voltage

There is a risk of a short-circuit due to liquids penetrating the housing!
Do not immerse the device and the accessories in water. Make sure that no water or other liquids can enter the housing.



Warning of electrical voltage

Work on the electrical components must only be carried out by an authorised specialist company!



Warning

Risk of suffocation!
Do not leave the packaging lying around. Children may use it as a dangerous toy.



Warning

The device is not a toy and does not belong in the hands of children.



Warning

Dangers can occur at the device when it is used by untrained people in an unprofessional or improper way!
Observe the personnel qualifications!



Caution

Keep a sufficient distance from heat sources.

Note

To prevent damages to the device, do not expose it to extreme temperatures, extreme humidity or moisture.

Note

Do not use abrasive cleaners or solvents to clean the device.

Information about the device

Device description

The videoscope B022 serves for inspecting concealed machine components and poorly accessible or inaccessible hollows.

The camera is connected to the device via a flexible gooseneck probe.

The probe is water-proof and can be immersed in water along with the camera head, e.g. to check whether there are any objects underneath the surface or for leak detection in water-carrying systems.

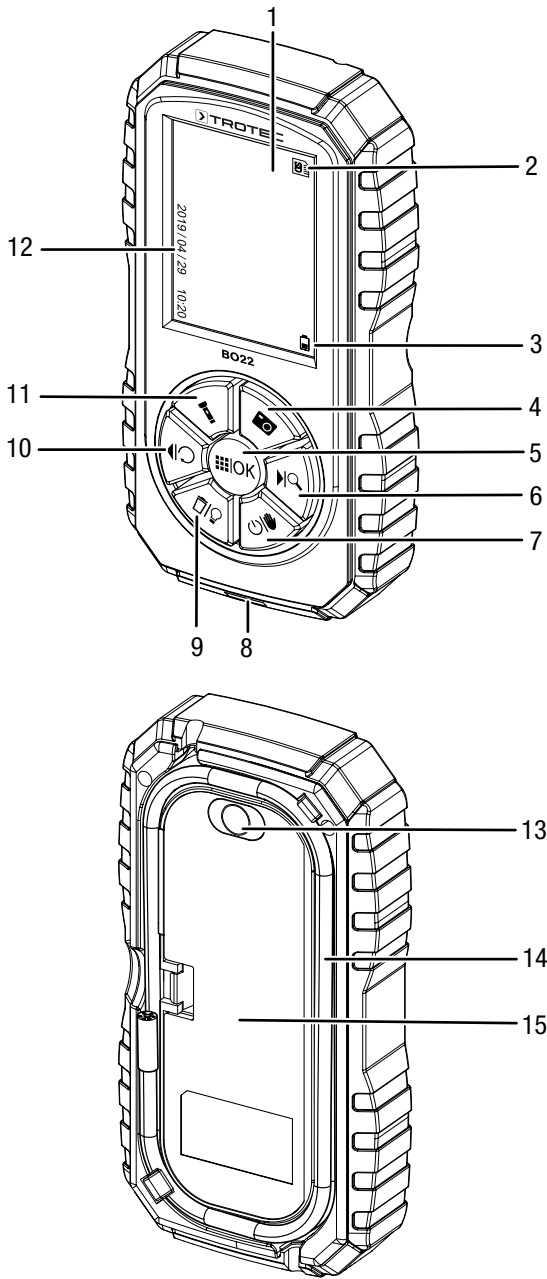
The device is equipped with a 3 inch LC display. If it is used along with a microSD card (not included in the scope of delivery), pictures and videos can be taken.

The device is further equipped with a freeze-frame function, with additional lighting and offers the possibility to rotate the image by 180° (flip function).

The tip of the gooseneck probe can be replaced with three further attachments:

- 45° mirror attachment
- hook attachment
- magnet attachment

Device depiction



No.	Element	Function
1	Display	camera image or menu indication
2	MicroSD card indication	indicates whether a microSD card is inserted
3	Battery status indication	flashes red if batteries need to be replaced
4	📷 button	starts recording pictures or videos
5	OK button	runs menu function runs indicated submenu confirms input value
6	⬆️ button	up button for the menu zoom function
7	🔌 button	POWER button freeze image
8	MicroSD card recording	insert MicroSD card up to 32 GB
9	🗑️ button	deletes data activates camera light (4 levels)
10	⬇️ button	down button for the menu 180° image rotation (flip function)
11	💡 button	activates rear light
12	Date and time indication	settings are made via menu function
13	Rear light	additional object lighting
14	Gooseneck probe	with camera head and lamp, extendable by 95 cm
15	Battery compartment	4 batteries, type AA

Technical data

Parameter	Value
Model	B022
Weight (incl. batteries)	approx. 385 g
Dimensions (length x width x height)	162 mm x 85 mm x 35 mm
Display	3.0 inch digital LC colour display
Storage	on microSD card (up to 32 GB, not included in the scope of delivery)
Resolution	640 x 480 pixels
Video format	*.avi
Video resolution	1280 x 720 pixels
Photo format	*.jpg
Camera diameter	5.5 mm
Length of the gooseneck probe	95 cm
DOF	approx. 1 cm to 30 cm
Field of vision	65°
Zoom	1.0/1.5/2.0-fold zoom
Operating temperature	-10 °C to 60 °C
Storage temperature	-10 °C to 60 °C
Type of protection (gooseneck probe and camera head)	IP 67
Power supply	4 x Alkaline LR6 AA 1.5 V battery

Scope of delivery

- 1 x Device B022
- 4 x Alkaline LR6 AA 1.5 V battery
- 1 x Accessory kit with 45° mirror, hook and magnet attachment
- 1 x Quick guide

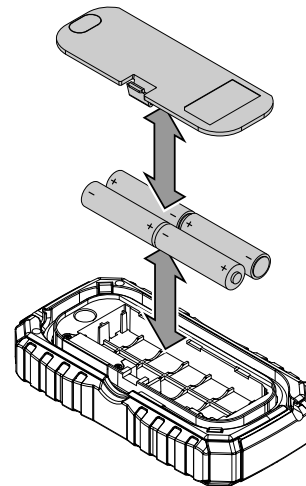
Operation

Inserting the batteries

Note



Make sure that the surface of the device is dry and the device is switched off.

1. Remove the cover of the battery compartment (15).
2. Insert the batteries (4 x type AA) into the device with correct polarity (+/-).



3. Put the cover back onto the battery compartment.

Switch the device on and off

1. Press and hold the  button (7) for approx. 2 seconds to switch the device on.
 - ⇒ The display (1) switches on.
 - ⇒ The device is ready for operation.
2. Press and hold the  button (7) again for approx. 2 seconds to switch the device off.

Inserting the microSD card

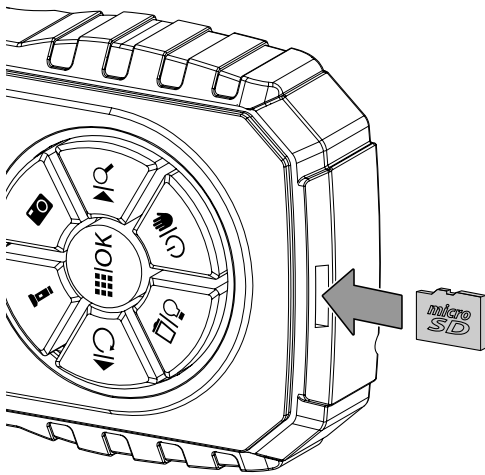
To take pictures or record videos, you have to insert a microSD card (not included in the scope of delivery) into the device.



Info

Do not push the microSD card forcefully into the retainer (8). Otherwise the card could be damaged. Make sure that the card is correctly aligned.

- Carefully insert the card into the microSD card slot (8).



Settings and video menu

The device has an integrated menu where you can adjust settings and take and view pictures and videos. After pressing the **OK** (5) button, the main menu will open including the following subitems:

Subitem	Function
back	- exits the menu
Video mode	- opens the video mode - press the video button to start recording
Photo mode	- opens the photo mode - press the photo button to take a picture
Playback	- opens the playback menu - plays or deletes previously taken photos or videos
Setup	- opens the settings menu - allows you to adjust date, time and language and to format the microSD card

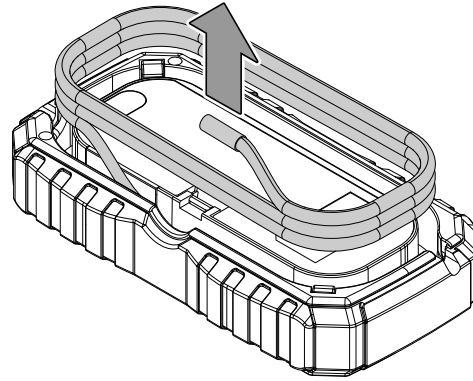
By pressing the **right** (6) or **left** (10) button, you can browse the menus and adjust the indicated values.

By pressing the **OK** (5) button, you can access the displayed submenu, confirm a setting or change the language in the language settings menu.

Aligning / moving the camera

To provide protection, the gooseneck probe is integrated into the device and should be appropriately placed into the device if the camera is not in use.

- Take out the gooseneck probe (14) to the desired length by unwinding it from the housing. Note that the stability of the gooseneck decreases the more you unwind it from the housing.



- Move the camera on the tip of the gooseneck into the desired position. For underwater photos the gooseneck probe can be immersed. Make sure that the device itself does not make contact with water, otherwise it might be damaged.
- If necessary, press the **rotate** (10) button to turn the camera image by 180°.
- Press the **rotate** (10) button again to turn the camera image back by 180°.

Setting the camera light

The device is equipped with a camera light that offers 4 brightness levels.

- Press the **light** (9) button up to four times to set the desired brightness level.
- Pressing the **light** (9) button for the fifth time will switch off the camera light.

Taking photos/videos

With inserted microSD card (not included in the scope of delivery) you can take photos or videos with the camera.

1. Briefly press the button (4) to take a photo with the camera.
2. Press and hold the button (4) for approx. 2 seconds to access the video mode.
 - ⇒ The symbol of the photo icon on the top left in the display changes to the symbol of a camera icon.
3. In the video mode, press the button (4) to start recording the video.
 - ⇒ The video recording is started.
 - ⇒ The camera icon in the display starts flashing and the video runtime is displayed.
4. Press the button (4) again to stop recording.
 - ⇒ The video recording is stopped.
 - ⇒ The camera icon stops flashing and the runtime display disappears.

Freezing the image

By pressing the button (7) you can "freeze" the image to obtain a better view on it.

By pressing the button (7) again, the display (1) switches back to the live image of the camera.

Setting the zoom factor

By pressing the button (6) you can switch between three different zoom levels:

- 1.0-fold zoom
- 1.5-fold zoom
- 2.0-fold zoom

The zoom level is indicated on the display (1).

Using the rear light

The device is equipped with an additional rear light (13) to be able to illuminate objects in a better way or to be used as a torch.

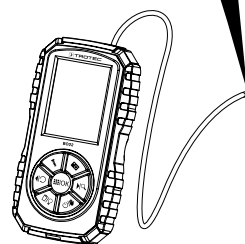
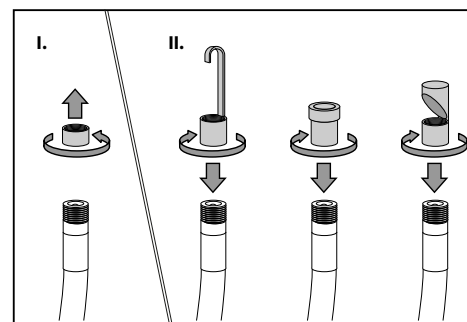
1. Press the button (11) to switch on the rear light (13).
2. Re-press the button (11) to switch off the rear light (13) again.

Using accessories

The scope of delivery includes three additional camera attachments with the following functions:

45° attachment	allows you to have an around-the-corner view with the camera
hook attachment	allows you to remove objects with the hook, e.g. a ring that fell into the drain
magnet attachment	allows you to remove metals containing iron, nickel or cobalt, e.g. screws or nuts in places that are difficult to access

1. Unscrew the thread protection from the camera.
2. Screw the required attachment on the camera.



Info

After usage, always screw the thread protection back on the camera head. Otherwise, the thread could be damaged and it might not be possible to use the accessory attachments any longer.

Errors and faults

The device has been checked for proper functioning several times during production. If malfunctions occur nonetheless, check the device according to the following list.

Fault	Cause	Solution
The device does not switch on.	No batteries are installed.	Make sure that batteries are installed.
	The batteries are not properly installed.	Make sure that batteries are properly installed.
	The batteries are empty.	Make sure that the batteries are new or charged sufficiently.
Device did not record pictures/ videos.	No microSD card inserted.	Insert a microSD card.
	MicroSD card is full.	Delete files no longer needed to free up storage space.
	The device switched off during recording.	Terminate the recording before the batteries have run empty.
MicroSD card cannot be read.	Problem with microSD card.	Make sure that the microSD card is not damaged and the storage space does not exceed 32 GB.
	System has crashed.	Restart the system.
Camera image is too bright or too dark.	Camera light is set too bright or too dark.	Set the camera light correctly (see Chapter Operation).
	The rear light influences the image.	Switch the rear light on and off as needed.
Camera light does not work, no image being displayed.	The batteries are not sufficiently charged.	Insert new batteries.
	Communication error between camera and device.	Check the connection between gooseneck probe and device.
	The camera is damaged.	Contact the Trotec Service for further measures.
The recorded video stutters.	The microSD card transfer speed is lower than 6 MB/s.	Use another microSD card with a transfer speed of at least 6 MB/s.

Maintenance and repair

Battery change

Change the batteries if the battery status indication (3) flashes in red or if the device can no longer be switched on. See section Inserting the batteries in chapter Operation.

Cleaning

Clean the device with a soft, damp and lint-free cloth. Make sure that no moisture enters the housing. Do not use any sprays, solvents, alcohol-based cleaning agents or abrasive cleaners, but only clean water to moisten the cloth.

Repair

Do not modify the device or install any spare parts. For repairs or device testing, contact the manufacturer.

Disposal



The icon with the crossed-out waste bin on waste electrical or electronic equipment stipulates that this equipment must not be disposed of with the household waste at the end of its life. You will find collection points for free return of waste electrical and electronic equipment in your vicinity. The addresses can be obtained from your municipality or local administration. For further return options provided by us please refer to our website <https://de.trotec.com/shop/>.

The separate collection of waste electrical and electronic equipment aims to enable the re-use, recycling and other forms of recovery of waste equipment as well as to prevent negative effects for the environment and human health caused by the disposal of hazardous substances potentially contained in the equipment.



In the European Union, batteries and accumulators must not be treated as domestic waste, but must be disposed of professionally in accordance with Directive 2006/66/EC of the European Parliament and of the Council of 6 September 2006 on batteries and accumulators. Please dispose of batteries and accumulators according to the relevant legal requirements.